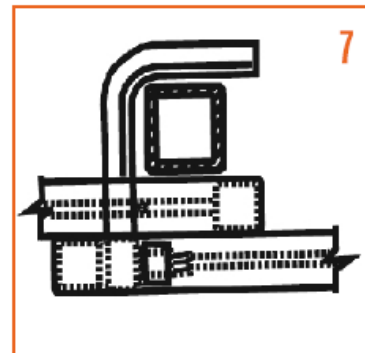
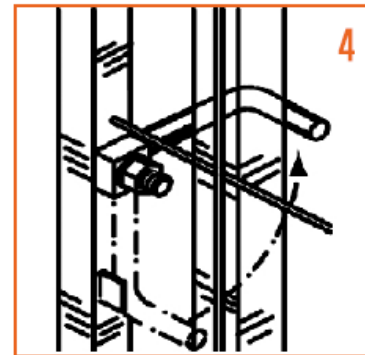
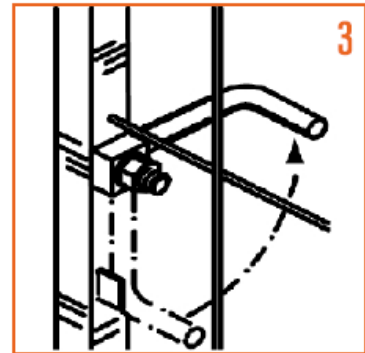


SAFETY FENCE – KF9642, KF9621, KF4942, KF4921

Installing Safety Fence

1. After having your first post installed and in position, place a fence panel with the latch end against the inside of the first post.
2. Ensure that the red painted/logo side of the toe board is facing the edge.
3. Open the fence latch 90° to the panel.
4. Move the fence so the latch opening seats snugly against the post.
5. Press down on the fence latch so that the fence is seated tightly around the post.
6. At the free-standing end of the fence, set up a second post by lining it up with the first vertical wire of the fence mesh. The second fence panel is now ready for installation.
7. Repeat steps #1—6. The latch on the second panel should now pass through the mesh of the first panel and seat onto the second post, which locks the freestanding end of the first panel in place.
8. Repeat as many times as necessary, using a combination of fence models.
9. Check installed components after each shift and after each adjustment (at
10. If a post or fence has to be removed for any reason, **the operator must be tied off to a secure point. Do NOT tie off to the fences or post.**
 - Clip Speed Wire to the end fence panel and post. (See more details in Speed Wire section).
 - Fence can be double-stacked on same post.



Dismantling Safety Fence

1. Open the fence latch and slide the fence section to the left so that it is clear of the post.
2. Pull the fence towards you that the latch end is free. Remove the fence from the edge that is being protected.
3. Close the fence latch.
4. Store the fence in its appropriate area.

