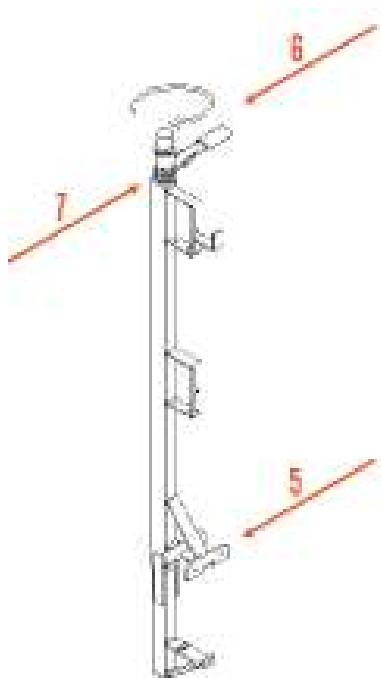
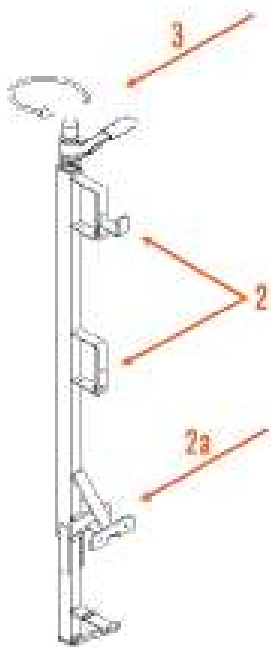


SLAB GRAB – SG4226 & SG6426

Installing Slab Grab



1. Inspect the Slab Grab for damage. Ensure that the top mounted adjustment handle is able to turn easily in both directions, and that the jaws open and close as the adjustment handle is turned.
2. Set the opening of the jaws of the Slab Grab to the thickness of the slab, plus enough extra space to be able to fit the jaws onto the slab.
3. Walk towards the edge of the slab with the open jaws facing you, using both hands.
4. Ease the Slab Grab over the edge of the slab and seat the jaws onto the slab so that it fits snugly.
5. Hold the Slab Grab in a vertical position. Place your foot on top of the exposed jaw frame to steady the Slab Grab in position. Plumb the Slab Grab against the slab.
6. Wind the adjustment handle clockwise until the jaws tighten on the slab.
7. Continue to tighten until the red visual inspection spring has disappeared.
8. Check installed components after each shift and after each adjustment (at least once per day).
9. If a Slab Grab or fence has to be removed for any reason, **the operator must be tied off to a secure point. Do NOT tie off to the fences**



Dismantling Slab Grab

1. Remove the selected area of temporary guardrail or Safety Fence that is attached to the Slab Grab.
2. Hold the Slab Grab with one hand and place a foot on top of the Slab Grab jaw (2a).
3. With your free hand, unwind the adjustment handle counter clockwise until the jaws loosen off the slab.
4. Tilt the Slab Grab towards you until the jaws are completely free of the slab.
5. Remove the Slab Grab from the edge and store it in the appropriate area.